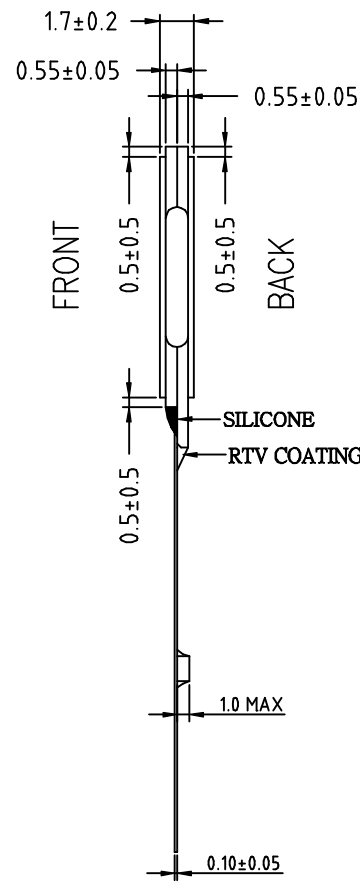
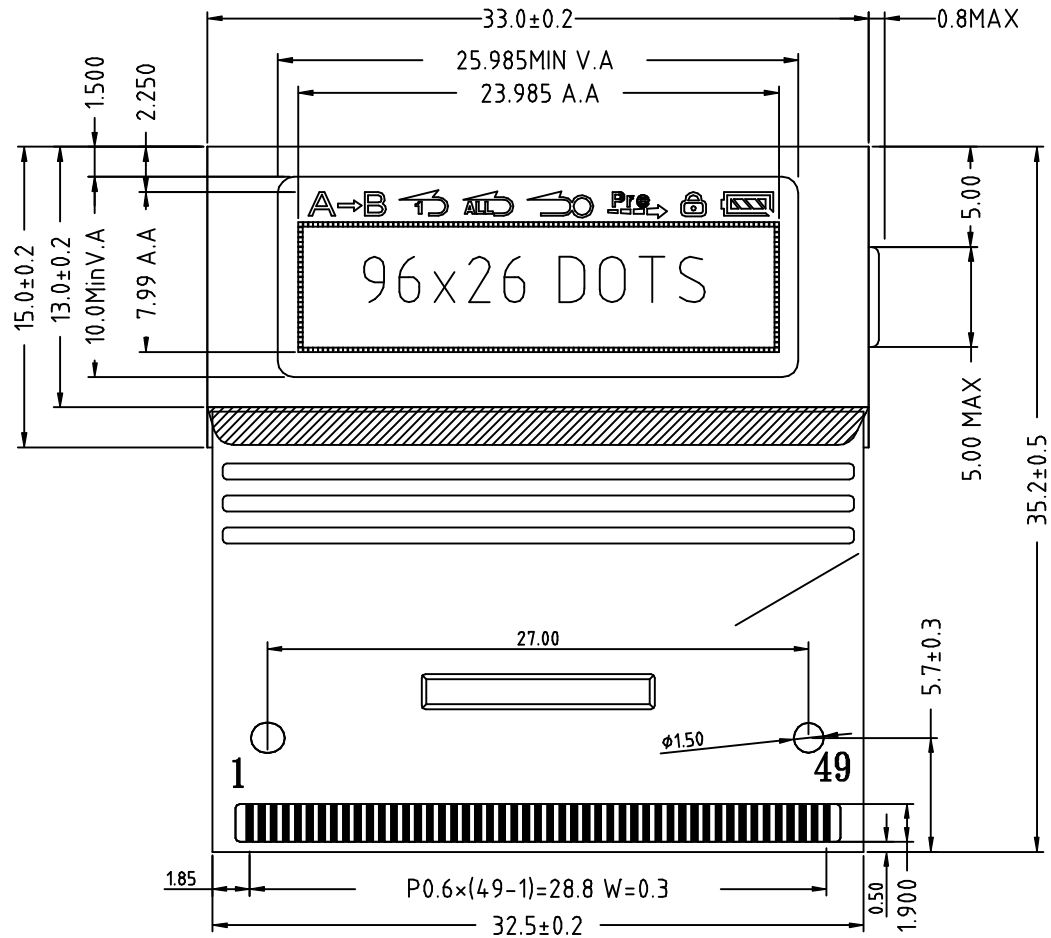


REV	Description	Date
A00	First Issue	2004-AUG-13

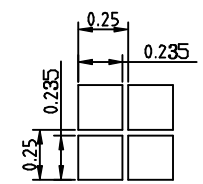


PIN ASSIGNMENT

1	NC	26	VDD2
2	NC	27	VSS
3	NC	28	VOUT
4	NC	29	NC
5	FR	30	C3+
6	CL	31	C1-
7	DOF	32	C1+
8	NC	33	C2+
9	CS1	34	C2-
10	CS2	35	VEXT
11	RES	36	VRS
12	A0	37	V1
13	WR	38	V2
14	RD	39	V3
15	D0	40	V4
16	D1	41	V0
17	D2	42	VR
18	D3	43	M/S
19	D4	44	CLS
20	D5	45	C86
21	D6	46	P/S
22	D7	47	HPM
23	DUTY0	48	IRS
24	DUTY1	49	NC
25	VDD		

SPECIFICATIONS:

- 1) IC: NT7532, VDD=3.0V
- 2) FSTN/+VE/TRANSFLECTIVE MODE
- 3) VIEWING ANGLE : 6 O'CLOCK
- 4) 1/33 DUTY, 1/6 BIAS, VOP=5.4V
- 5) OP.TEMP.= -20°C TO +70°C
ST.TEMP.= -25°C TO +75°C



DOTS SIZE

Description: MECHANICAL SPECIFICATIONS			
Scale: Sheet : 1 of 1			
Unspecified Tol. ±0.3	Unit mm	Project Number TMTG9626A-01	Item Number
Approvals	Date		
Draw:		Do Not Scale This Drawing	
Check:			
Approve:			