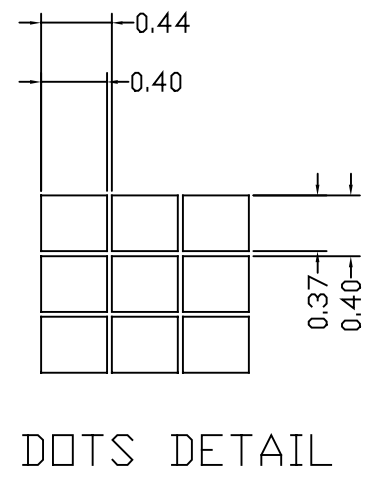
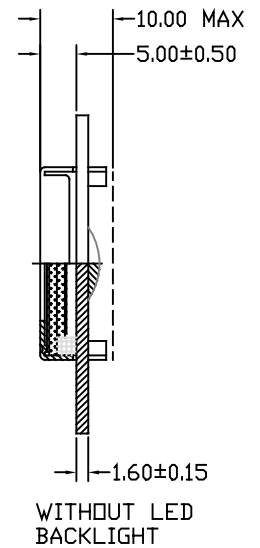
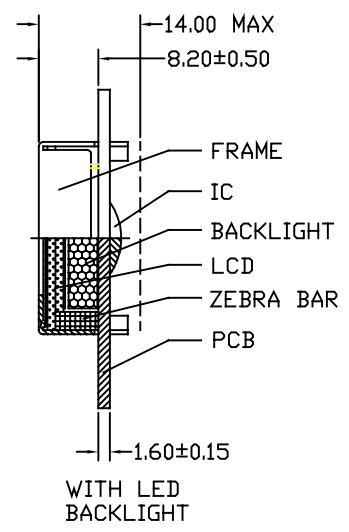
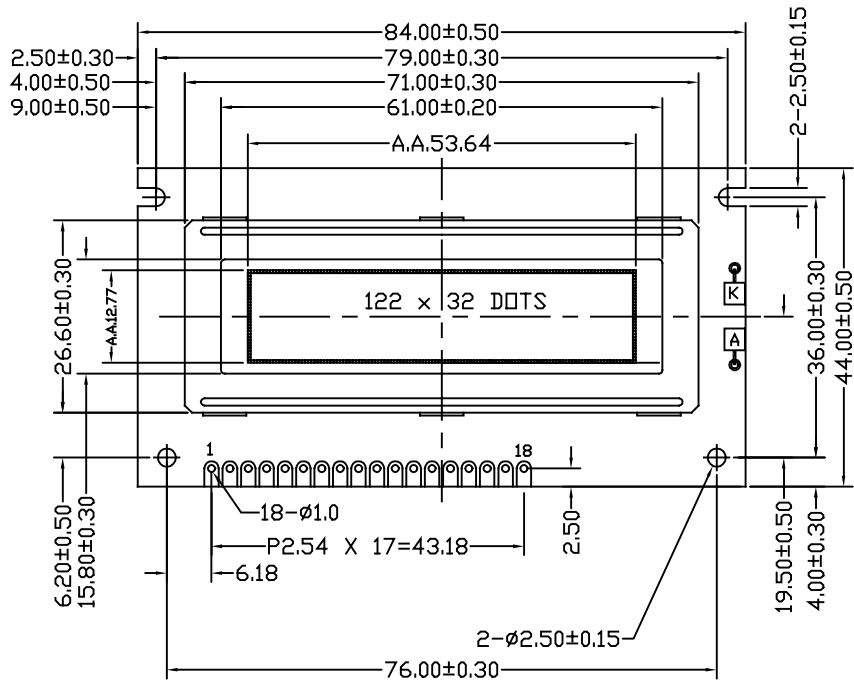



REV	Description	Date
A00	First Issue	2002-SEP-26



1	2	3	4	5	6	7	8	9	10	11	12	13	14	15	16	17	18
VSS	VDD	V _D	RS	R/W	E1	E1	RST	DB0	DB1	DB2	DB3	DB4	DB5	DB6	DB7	LED(+)	LED(-)

Controller: EPSON SED1520 OR EQUIVALENCE

Description:		MECHANICAL SPECIFICATIONS	
Scale: NTS		 TRI-T COMPANY LIMITED	
Sheet : 1 of 1			
Unspecified Tol. ±0.3	Unit mm	Project Number TMBG12232B-XX	Item Number
Approvals	Date		
Draw:		Do Not Scale This Drawing	Projection
Check:			
Approve:			