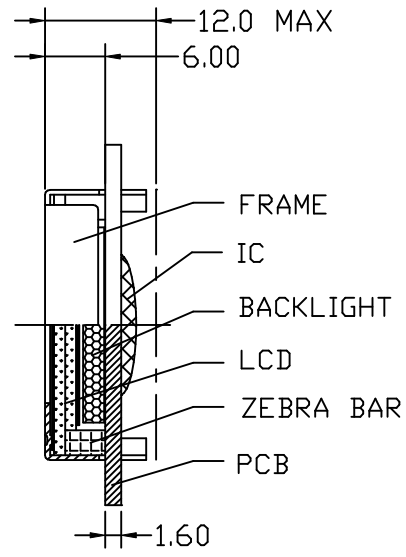
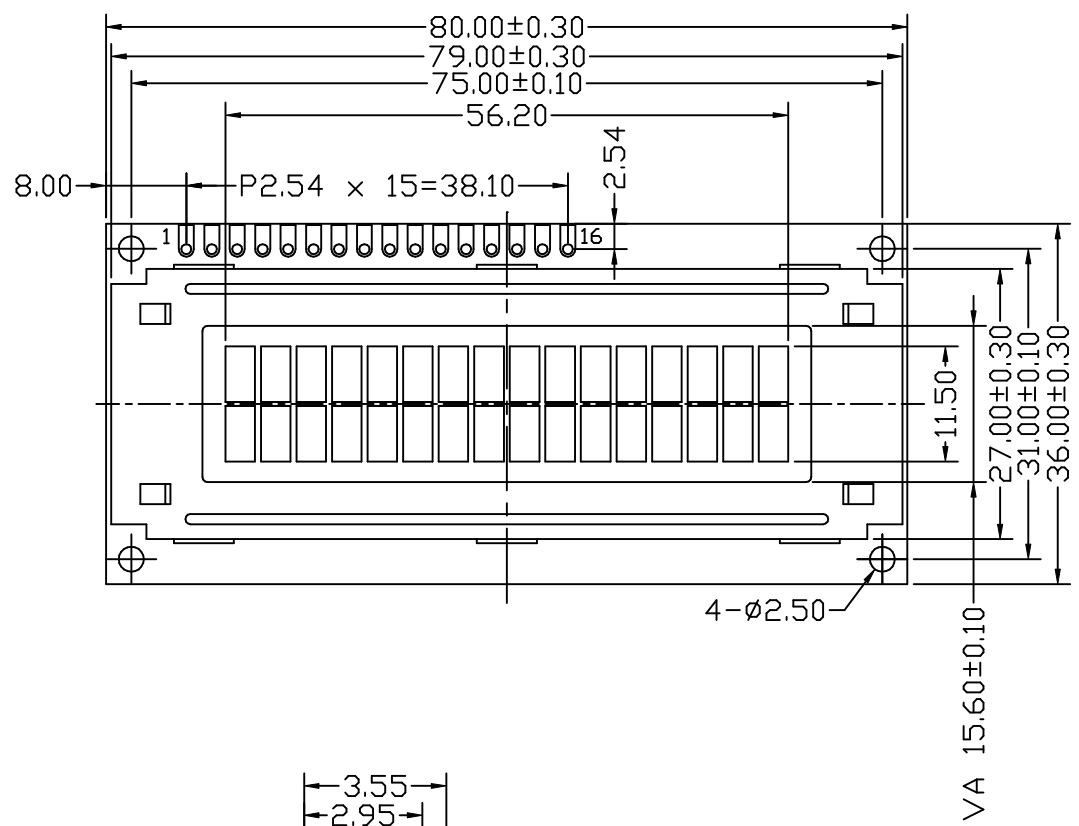
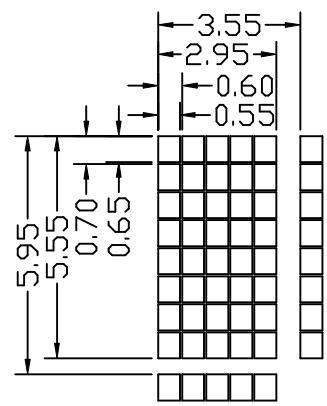


REV	Description	Date
A00	First Issue	2003-DEC-10


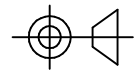


PIN ASSIGNMENT:

PIN NUMBER	SYMBOL
1	VSS
2	VDD
3	V0
4	RS
5	R/W
6	E
7	DB0
8	DB1
9	DB2
10	DB3
11	DB4
12	DB5
13	DB6
14	DB7
15	K
16	A



Character Dot Details

Description: MECHANICAL SPECIFICATIONS	
Scale:	 TRI-T COMPANY LIMITED
Sheet : 1 of 1	
Unspecified Tol. ±0.3	Unit mm
Approvals	Date
Draw:	Project Number
Check:	TMBC16265J-XX
Approve:	Item Number
Do Not Scale This Drawing	
 Projection	