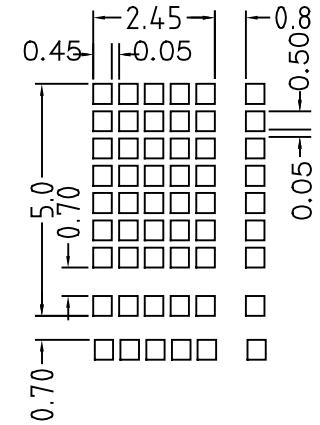
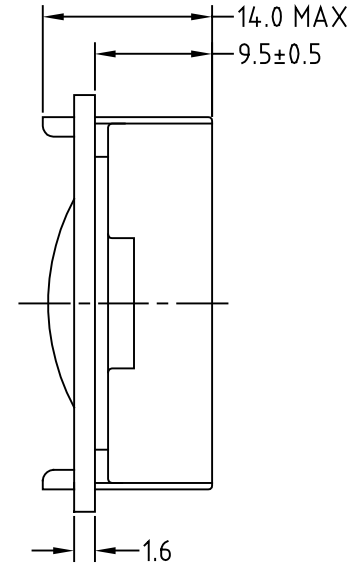
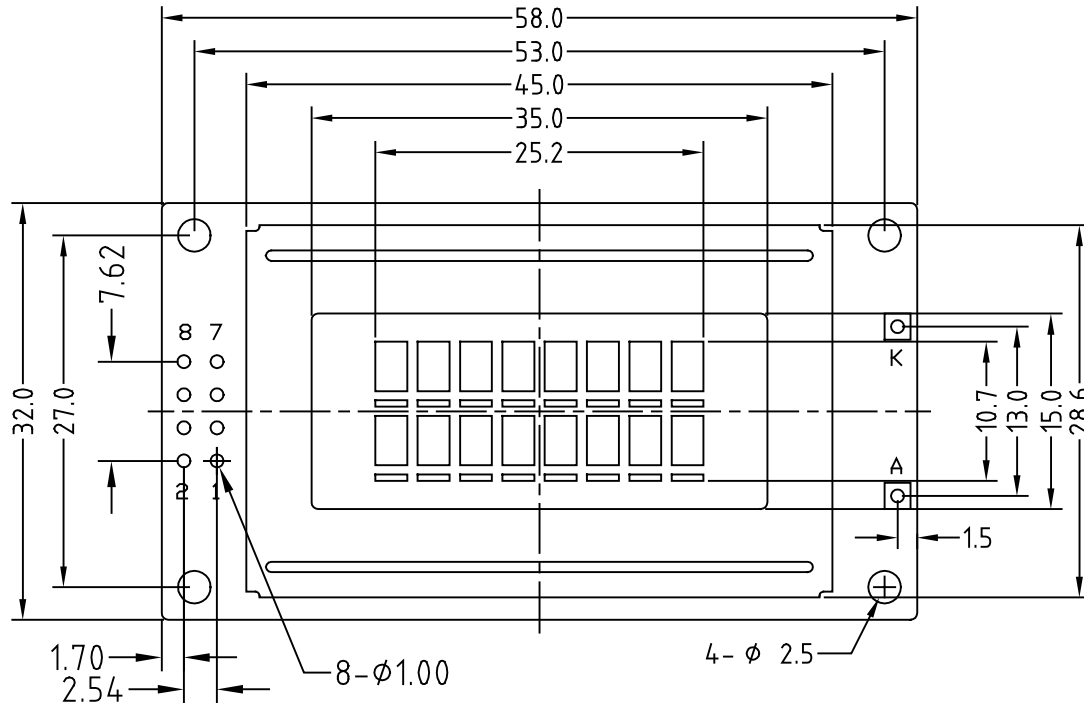



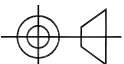
REV	Description	Date
A00	First Issue	2003-JAN-20



PIN ASIGNMENT:

1	2	3	4	5	6	7	8
Vss	Vcc	VLCD1	VLCD2	SCL	SDA	LED+	LED-

Controller: Philips PCF2113 or equivalence

Description:		MECHANICAL SPECIFICATIONS	
Scale:		 TRI-T COMPANY LIMITED	
Sheet : 1 of 1			
Unspecified Tol. ±0.3	Unit mm	Project Number	Item Number
Approvals	Date	TMBC08265B-XX	
Draw:			
Check:			
Approve:		Do Not Scale This Drawing	
			 Projection