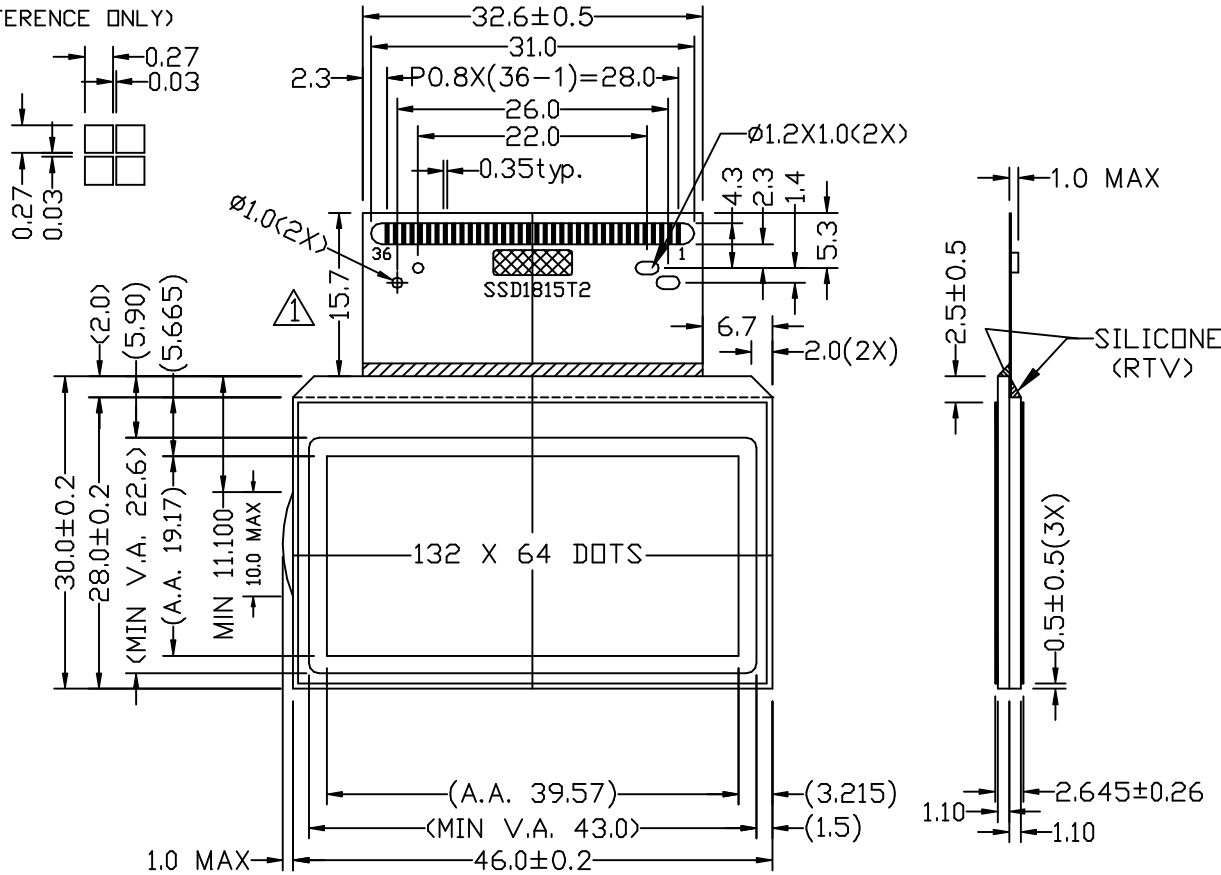


REV	Description	Date
A00	First Issue	2001-DEC-19

< DOTS SIZE FOR CUSTOMER REFERENCE ONLY >



NOTE:
 ◊ SPECIAL CHARACTERISTIC
 "+" SAFETY CHARACTERISTIC
 < > REFERENCE ONLY

Display Type	FSTN, +VE, TRANFLECTIVE
Display Resolution	132 X 64 DOTS
Viewing Angle	12 O'CLOCK
Mux ratio and bias level	1/65 DUTY, 1/9 BIAS
LCD Controller/Driver	SSD1815T2
Logic Voltage	3V
LCD Driving Voltage	~10V
Operation Temperature	0°C to 50°C
Storage Temperature	-20°C to 60°C

1	2	3	4	5	6	7	8	9	10	11	12	13	14	15	16	17	18
NC	CL	/CS1	/RES	D/C	R/W	E/RD	D0	D1	D2	D3	D4	D5	D6	D7	VDD	VSS	VEE
19	20	21	22	23	24	25	26	27	28	29	30	31	32	33	34	35	36
C3N	C1P	C1N	C2N	C2P	VFS	VL2	VL3	VL4	VL5	VL6	VF	CLS	C68/80	P/S	/HPM	IRS	NC

Description: Mechanical Drawing

Scale: Not to scale

Sheet : 1 of 1

Unspecified Tol. ±0.3

Unit mm



TRI-T COMPANY LIMITED

Approvals

Date

Project Number

Item Number

Draw:

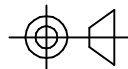
TMTG13264-03

Check:

Approve:

Do Not Scale This Drawing

REV: A00



Projection