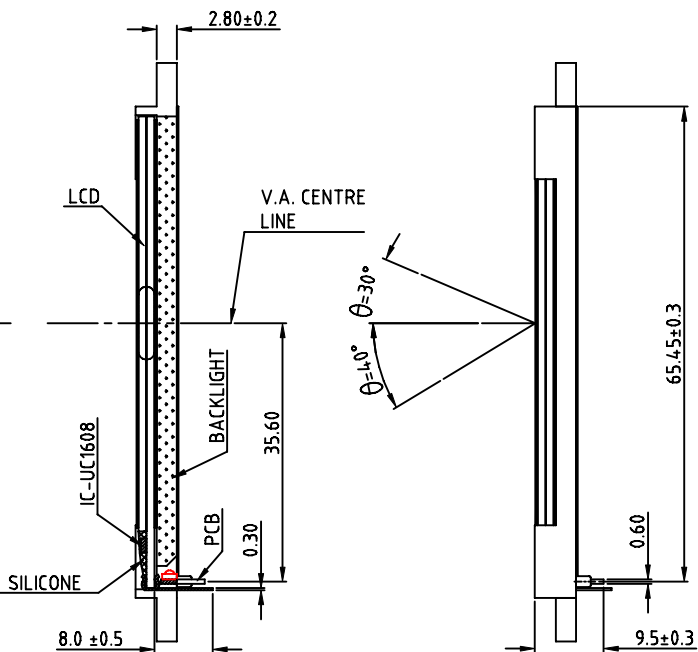
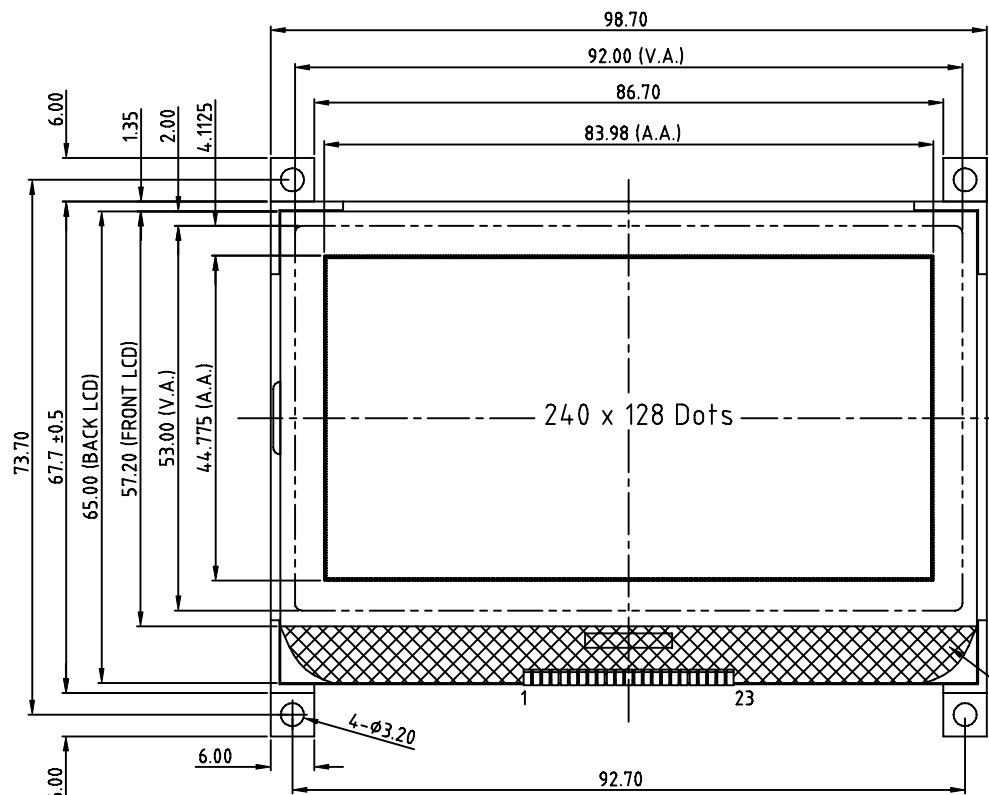
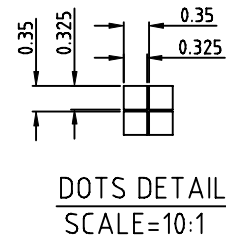
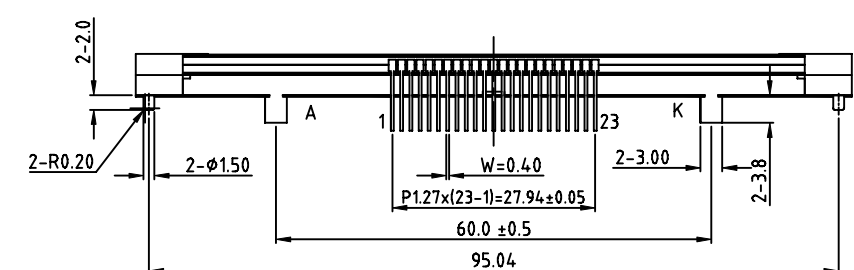


REV	Description	Date
A00	First Issue	2008-APR-08



Pin Assignment:

1	VB1-
2	VB1+
3	VB0-
4	VB0+
5	VLCD
6	VBIAS
7	VSS
8	VDD
9	D7
10	D6
11	D5
12	D4
13	D3
14	D2
15	D1
16	D0
17	WR1
18	WR0
19	CD
20	RST
21	CS
22	BM0
23	BM1



- SPECIFICATIONS:
- 1)FSTN/+VE/B&W/TRANSFLECTIVE MODE
 - 2)1/128 DUTY, 1/12 BIAS, VLCD=15.5V;
 - 3)VIEWING ANGLE= 6 O'CLOCK
 - 4)OP.TEMP.= -20°C TO +70°C
ST.TEMP.= -30% TO +80°C
 - 5) WITH WHITE LED BACKLIGHT, 3.2V@90mA(TYP.) LUM:45cd/m (MIN)
 - 6) COG DRIVER:UC1608, VDD=3.0V

Description: **MECHANICAL SPECIFICATIONS**

Scale: _____

Sheet : 1 of 1

Unspecified Tol. ±0.3 Unit mm

Approvals _____ Date _____

Draw: _____

Check: _____

Approve: _____

TRI-T COMPANY LIMITED

Project Number: **TMGG240128-05**

Item Number: _____

Do Not Scale This Drawing

Projection: