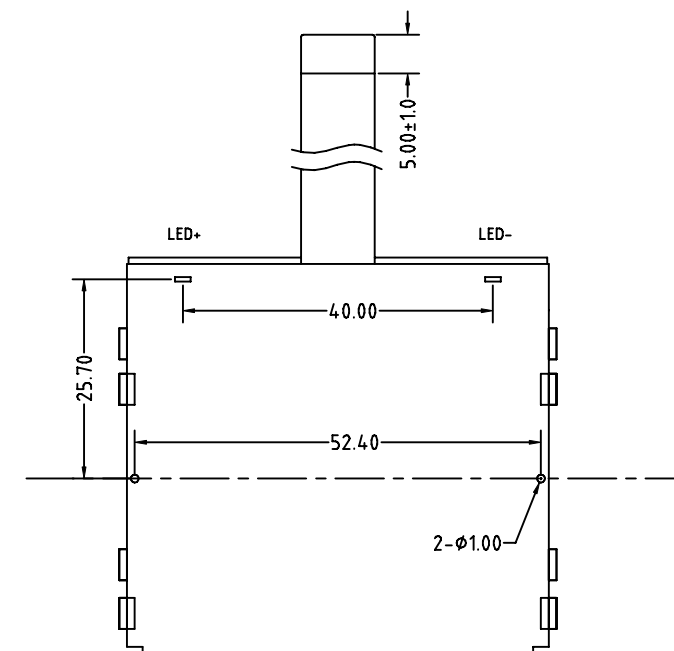
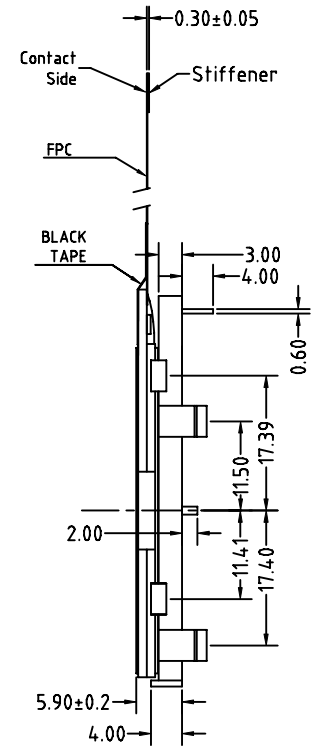
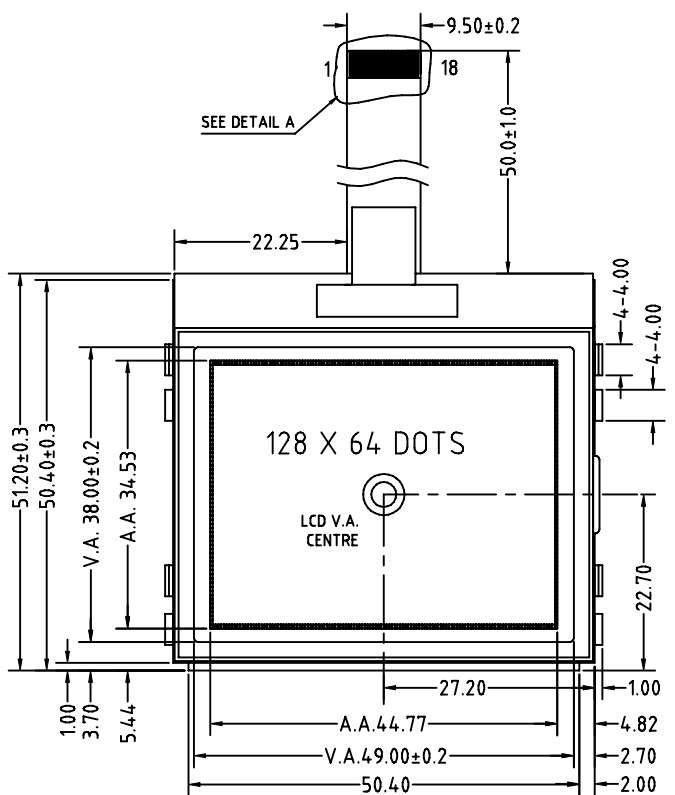
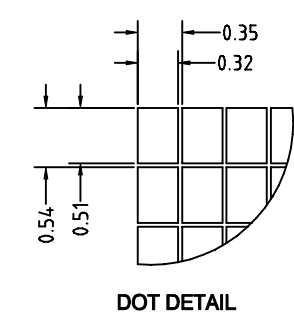
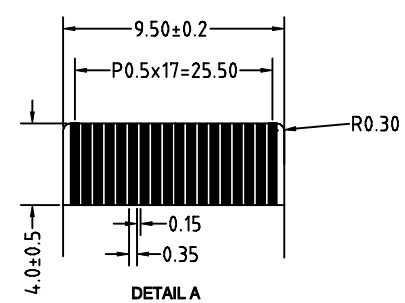
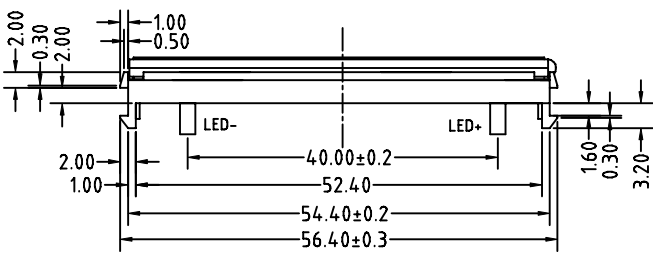


REV	Description	Date
A00	First Issue	2006-OCT-06



PIN ASSIGNMENT

PIN	NAME
1	V6
2	V5
3	V4
4	V3
5	V2
6	C2P
7	C2N
8	C1N
9	C1P
10	C3N
11	VEE
12	VSS
13	VDD
14	SDA
15	SCK
16	D/C
17	/CS1
18	/RES



SPECIFICATIONS:

- 1) FSTN/+VE/B&W/TRANSFLECTIVE MODE
- 2) 1/65 DUTY, 1/9 BIAS, VLCD=9.5V
- 3) VIEWING DIRECTION : 6 O'CLOCK
- 4) OP. TEMP.= 0°C to +50°C  
ST. TEMP.= -10°C to +60°C
- 5) Logic Voltage: 3.0±0.3V, IC: 'SOLOMON' SD1815BZ, SERIAL I/O
- 6) With WHITE LED Backlight, 3.6V@30mA

Description: **MECHANICAL SPECIFICATIONS**

Scale:

Sheet : 1 of 1

Unspecified Tol. ±0.3 Unit mm

Approvals Date

Draw: Project Number TMGG12864G-05

Check: Item Number

Approve: Do Not Scale This Drawing

**TRI-T COMPANY LIMITED**

Projection