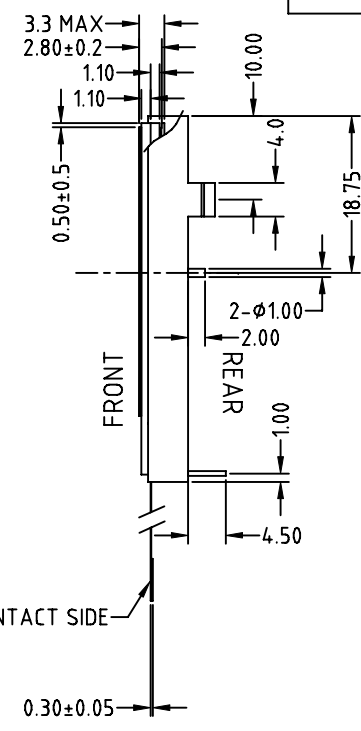
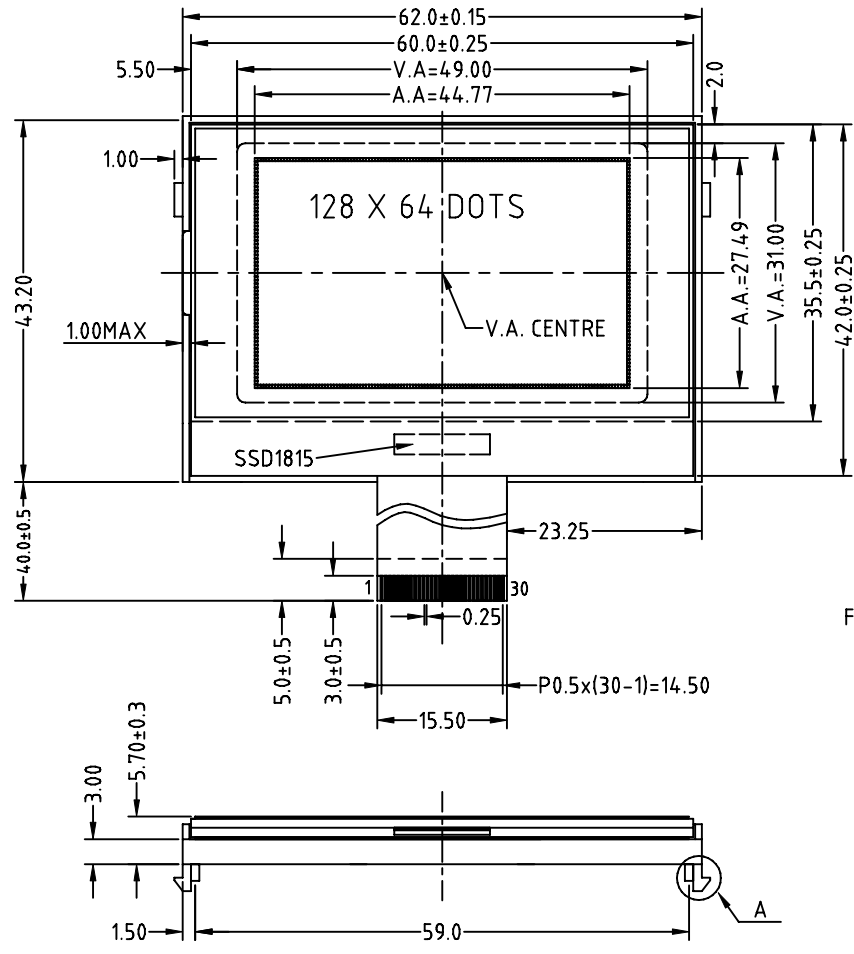
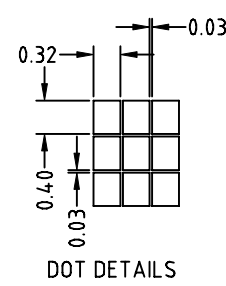
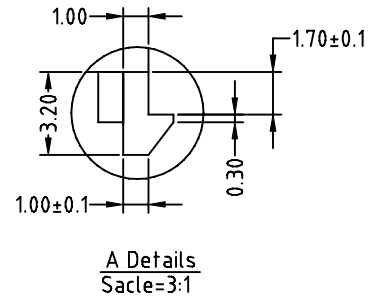


REV	Description	Date
A00	First Issue	2007-NOV-27



- SPECIFICATIONS:
- 1)FSTN/+VE/B&W/TRANSFLECTIVE
  - 2)1/65 DUTY, 1/9 BIAS, VLCD=9.0V
  - 3)VIEWING ANGLE= 6 O'CLOCK
  - 4)OP. TEMP=-20°C TO +70°C  
ST. TEMP=-30°C TO +80°C
  - 5) LOGIC VOLTAGE=3.0V
  - 6) WITH WHITE LED BACKLIGHT, 3.3V@30mA



Pin Assignment

PIN NO	1	2	3	4	5	6	7	8	9	10	11	12	13	14	15
NAME	/RES	/CS1	D/C	R/W (WR)	E(RD)	D0	D1	D2	D3	D4	D5	D6	D7	VDD	VSS
PIN NO	16	17	18	19	20	21	22	23	24	25	26	27	28	29	30
NAME	VEE	C3N	C1P	C1N	C2N	C2P	VL2	VL3	VL4	VL5	VL6	VF	C68	P/S	IRS

Description: **MECHANICAL SPECIFICATIONS**

Scale: \_\_\_\_\_

Sheet : 1 of 1

Unspecified Tol. ±0.3 Unit mm

Approvals \_\_\_\_\_ Date \_\_\_\_\_

Draw: \_\_\_\_\_

Check: \_\_\_\_\_

Approve: \_\_\_\_\_

**TRI-T COMPANY LIMITED**

Project Number: **TMGG12864D-24**

Item Number: \_\_\_\_\_

Do Not Scale This Drawing

Projection: