

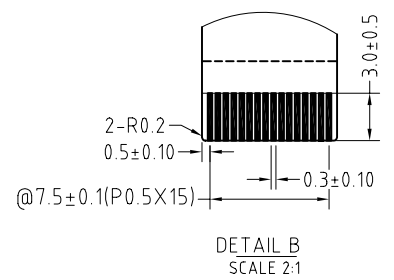
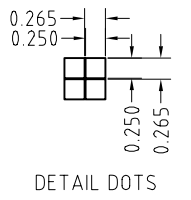
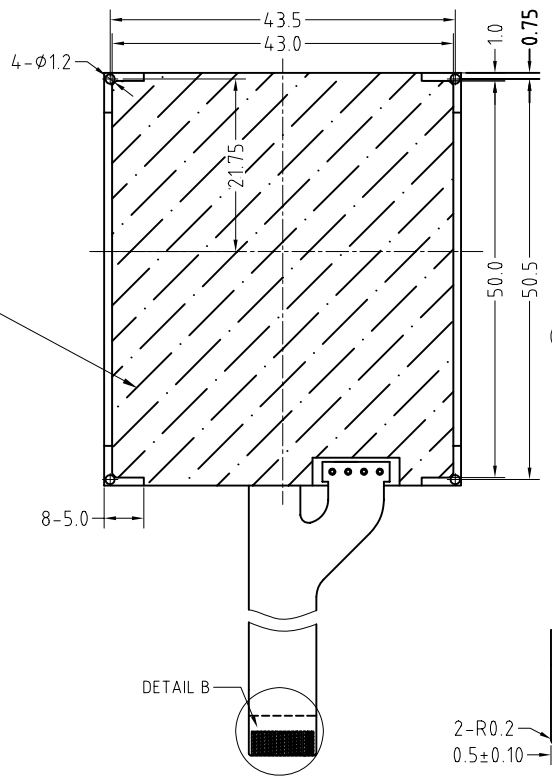
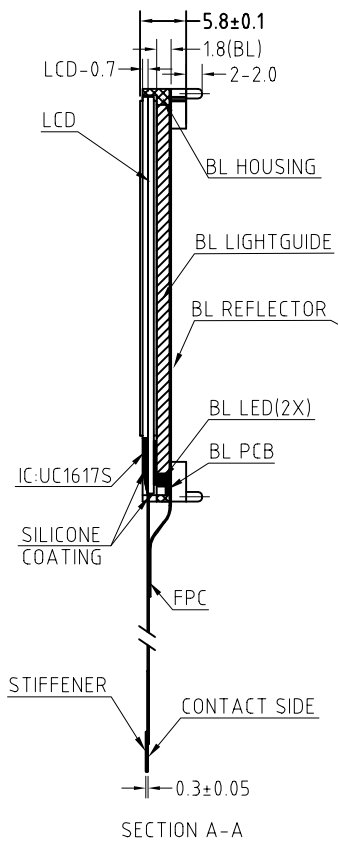
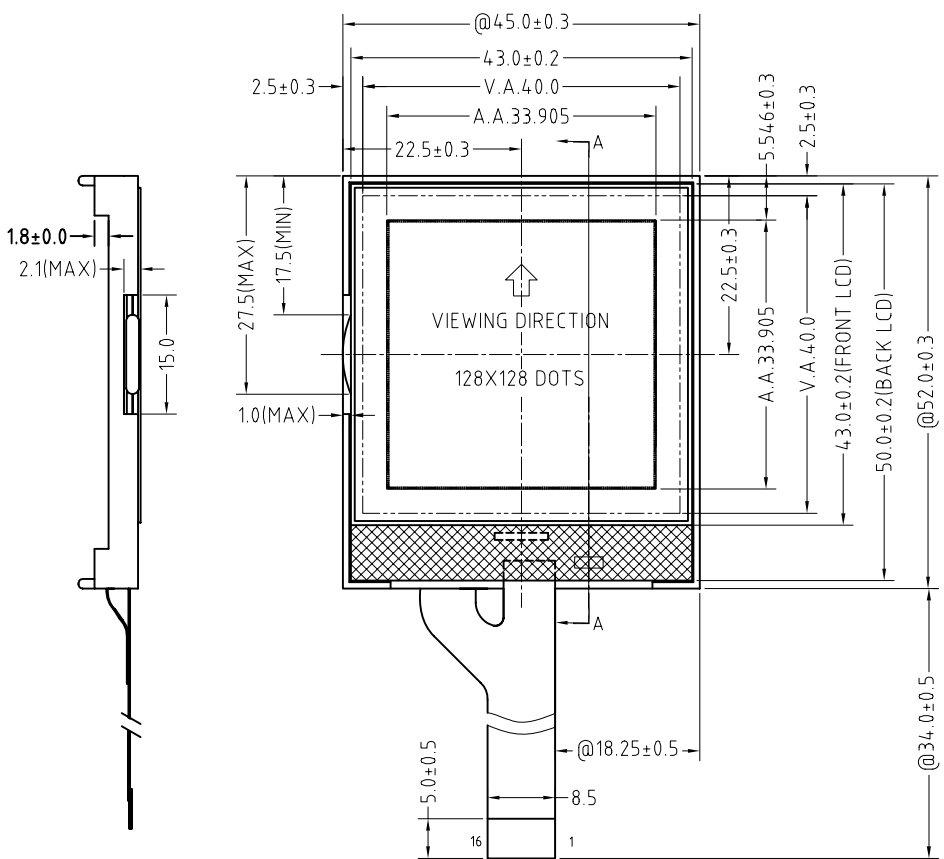
REV	Description	Date
A00	First Issue	2008-AUG-20

A

B

C

D

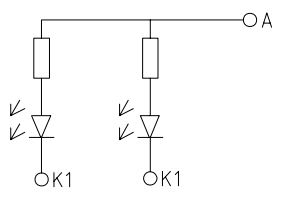


**Pin Assignment:**

1	2	3	4	5	6	7	8	9	10	11	12	13	14	15	16
SCK	SDA	/RST	/CS	C/D	VSS	VDD	VB0+	VB1+	VB1-	VB0-	VLCD	NC	K2	K1	A

**SPECIFICATIONS:**

- 1) FSTN/+VE/B&W/TRANSFLECTIVE MODE
- 2) 1/128 DUTY, 1/10 BIAS, VLCD=13.0V(REF.)
- 3) VIEWING ANGLE= 6 O'CLOCK
- 4) OP.TEMP.= 0 °C TO +50°C  
ST.TEMP.= -20°C TO +70°C
- 5) W/ WHITE COLOR LED BACKLIGHT, VLED=3.3V@10mA
- 6) DRIVER IC:UC1617S VDD=3.0V
- 7) "@" MEANS IMPORTANT DIMENSION
- 8) RoHS COMPATIBLE



Description: **MECHANICAL SPECIFICATIONS**

Scale: \_\_\_\_\_

Sheet: 1 of 1

Unspecified Tol. ±0.3 Unit mm

Approvals \_\_\_\_\_ Date \_\_\_\_\_

Draw: \_\_\_\_\_

Check: \_\_\_\_\_

Approve: \_\_\_\_\_

**TRI-T COMPANY LIMITED**

Project Number: TMGG128128A-01

Item Number: \_\_\_\_\_

Do Not Scale This Drawing

Projection:

A

B

C

D

1

2

3

4

5

6