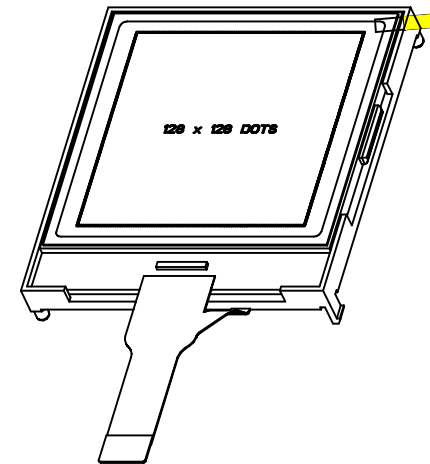
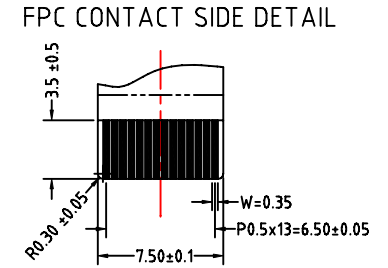
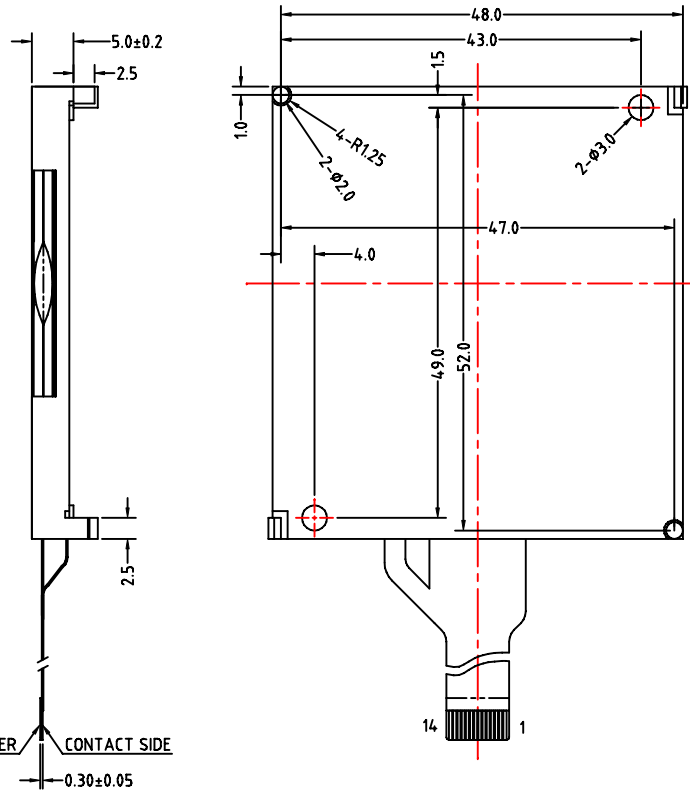
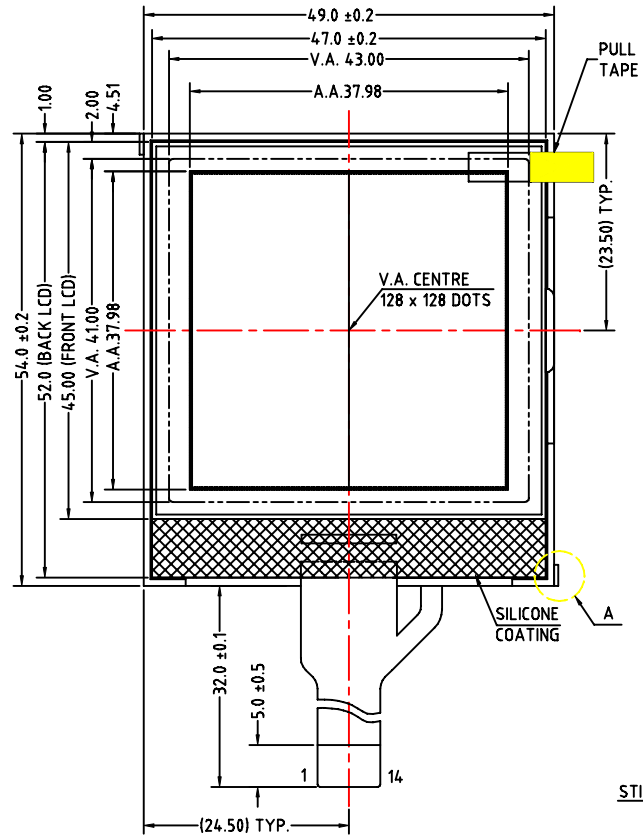


REV	Description	Date
A00	First Issue	2008-APR-28

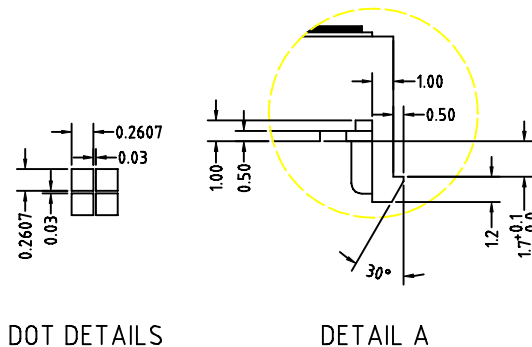


Pin Assignment:

1	2	3	4	5	6	7	8	9	10	11	12	13	14
VLCD	VB0-	VB1-	VB1+	VB0+	VDD	VSS	A3	A2	RST	SDA	SCK	LED+	LED-

SPECIFICATIONS:

- 1) FSTN/+VE/B&W/TRANSFLECTIVE MODE
- 2) 1/128 DUTY, 1/11 BIAS, VOP=12.5V (REF)
- 3) VIEWING DIRECTION: 6 O'CLOCK
- 4) OP.TEMP.= 0 °C TO +50°C
ST.TEMP.= -20°C TO +70°C
- 5) W/ WHITE LED BACKLIGHT, 3.3V@20mA
- 6) DRIVER : UC1617, VDD=3.3V



Description:		MECHANICAL SPECIFICATIONS	
Scale:		TRI-T COMPANY LIMITED	
Sheet : 1 of 1			
Unspecified Tol. ±0.3	Unit mm	Project Number TMGG128128-02	Item Number
Approvals	Date		
Draw:		Do Not Scale This Drawing	Projection
Check:			
Approve:			