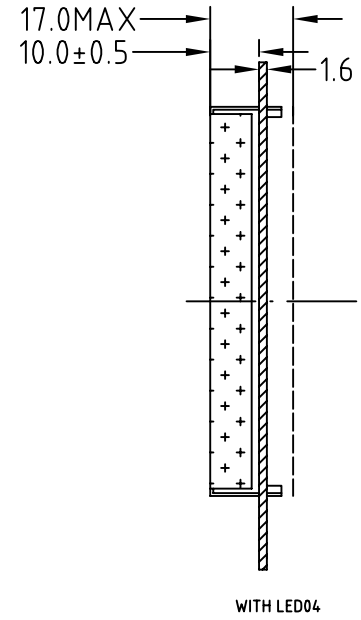
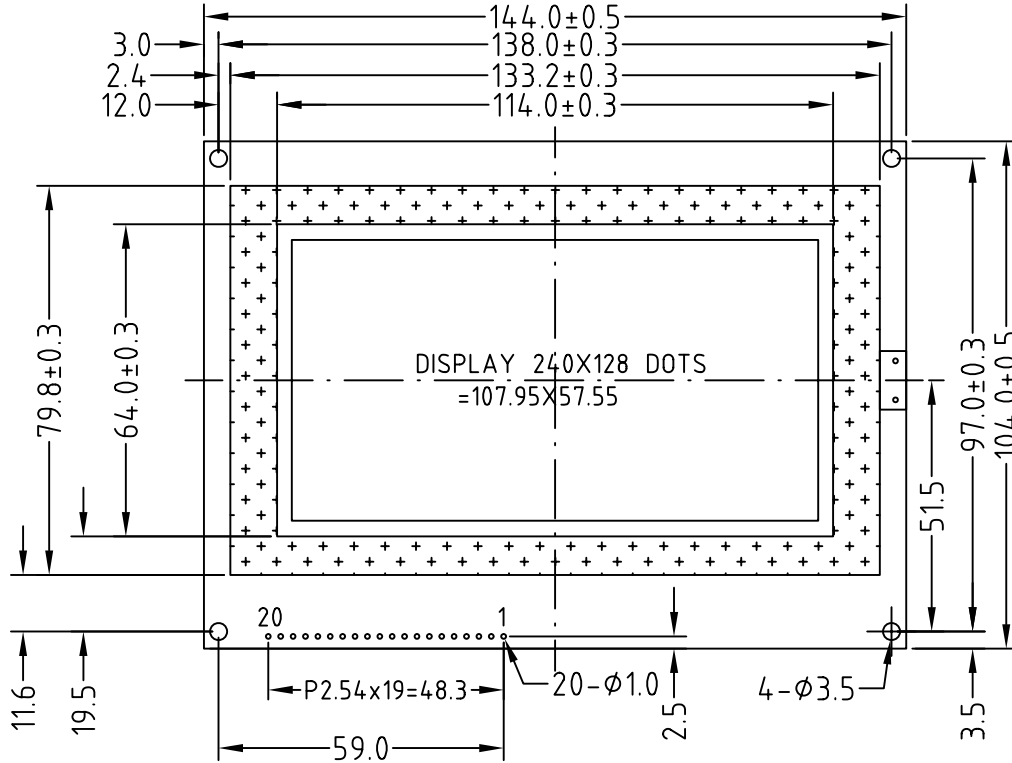
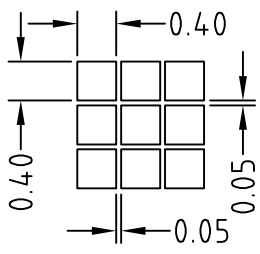


REV	Description	Date
A00	First Issue	2008-JAN-23



PIN#	1	2	3	4	5	6	7	8	9	10	11	12	13	14	15	16	17	18	19	20
NAME	VSS	VDD	V _{adj}	C/D	/RD	/WR	DB0	DB1	DB2	DB3	DB4	DB5	DB6	DB7	/CE	/RES	VEE	MD2	FS	LED+

- SPECIFICATIONS:
- 1)STN/+VE/Y-G/TRANSFLECTIVE MODE
 - 2)128 DUTY, 1/12 BIAS, VOP=19.0V
 - 3)VIEWING ANGLE 6 O'CLOCK
 - 4)OP.TEMP.=-20°C TO +70°C
ST.TEMP.=-30°C TO +80°C
 - 5)W/ Y-G LED BACKLIGHT, 4.05V@720mA



Description: **PCB SPECIFICATIONS**

Scale: _____

Sheet : 1 of 1

Unspecified Tol. ±0.3 Unit mm

Approvals _____ Date _____

Draw: _____

Check: _____

Approve: _____

TRI-T COMPANY LIMITED

Project Number: TMBG240128TA-03B

Item Number: _____

Do Not Scale This Drawing

Projection: