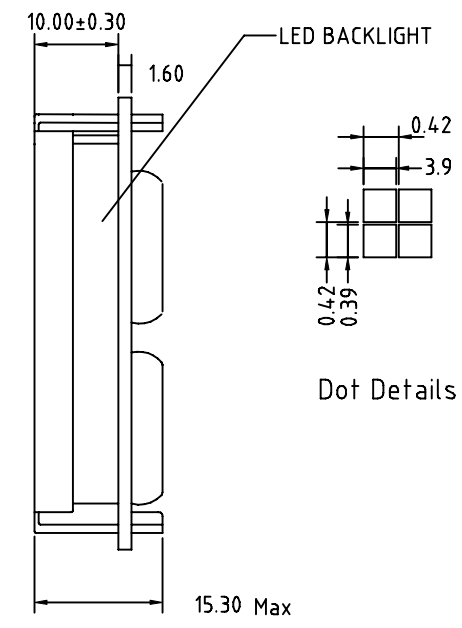
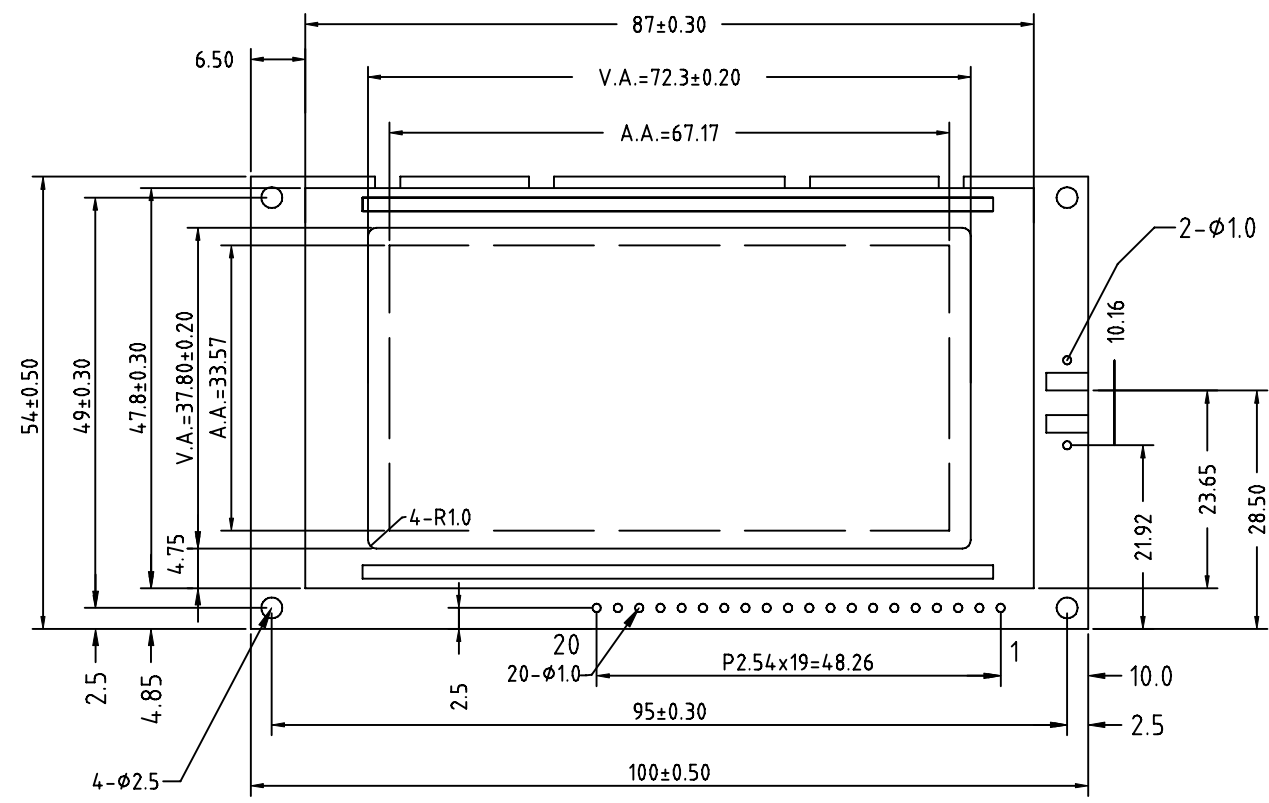


REV	Description	Date
A00	First Issue	2008-FEB-15


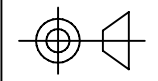


PIN ASSIGNMENT:

PIN NO	1	2	3	4	5	6	7 - 14	15	16	17	18	19	20
NAME	VSS	VDD	VADJ	RS	R/W	E	DB0 ~ DB7	CS	RES	VLCD	NC	LED+	LED-

Specification:

- 1) STN/Gray/+VE/Transflective Mode
- 2) 1/80 duty, 1/10 bias, VLCD = 12V
- 3) Operating Temp.= -20 °C - +70°C
- 4) Storage Temp.= -30 °C - +80°C
- 5) With Yellow-Green Color Backlight

Description:		MECHANICAL SPECIFICATIONS	
Scale:		 TRI-T COMPANY LIMITED	
Sheet : 1 of 1			
Unspecified Tol. ±0.3	Unit mm	Project Number	Item Number
Approvals	Date		
Draw:		TMBG16080-01A	
Check:			
Approve:		Do Not Scale This Drawing	 Projection