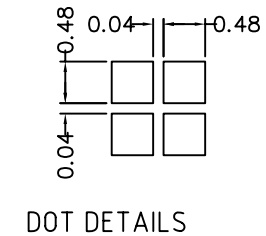
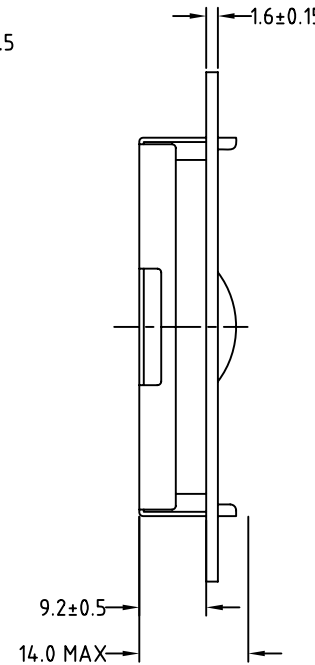
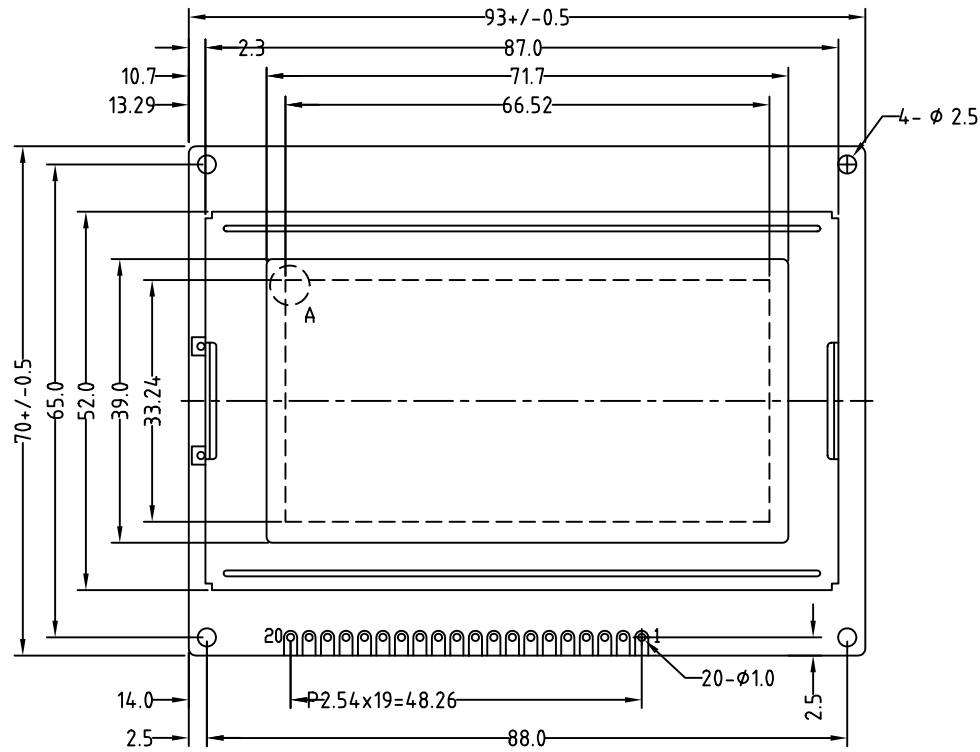


REV	Description	Date
A01	Change Outlook	2006-FEB-15


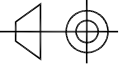


External Dimensions/Display Pattern

1	2	3	4	5	6	7~14	15	16	17	18	19	20
Vss	Vcc	Vo	D/I	R/W	E	DB0~DB7	CS1	CS2	RST	Vout	LED+	LED-

SPECIFICATIONS:

- 1)STN/+VE/Y-G/TRANSFLECTIVE
- 2)1/64 DUTY, 1/9 BIAS, VOP=8.8V
- 3)VIEWING ANGLE=6 O'CLOCK
- 4)OP.TEMP.= -20°C TO +70°C
ST.TEMP.= -30°C TO +80°C
- 5) WITH Y-G LED BACKLIGHT, 4.05V@360mA

Description:		MECHANICAL SPECIFICATION	
Scale:		 TRI-T COMPANY LIMITED	
Sheet : of			
Unspecified Tol. ±0.3	Unit mm	Project Number	Item Number
Approvals	Date	TMBG12864CPT-12	
Draw:		Do Not Scale This Drawing	
Check:			
Approve:			 Projection