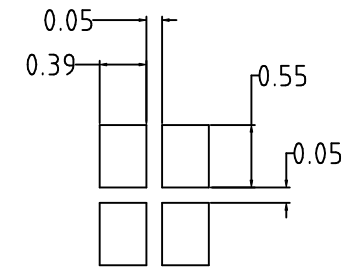
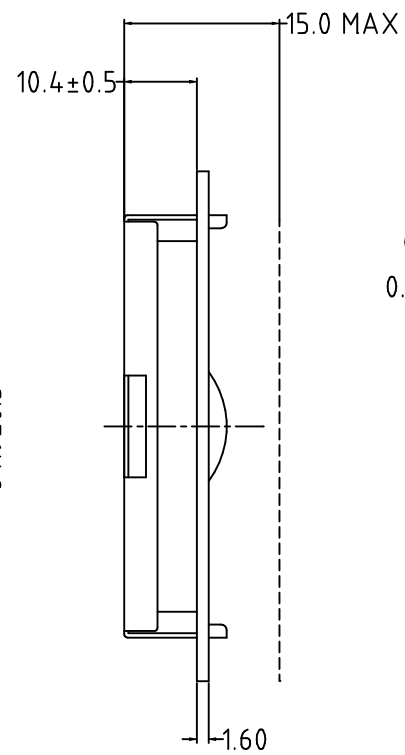
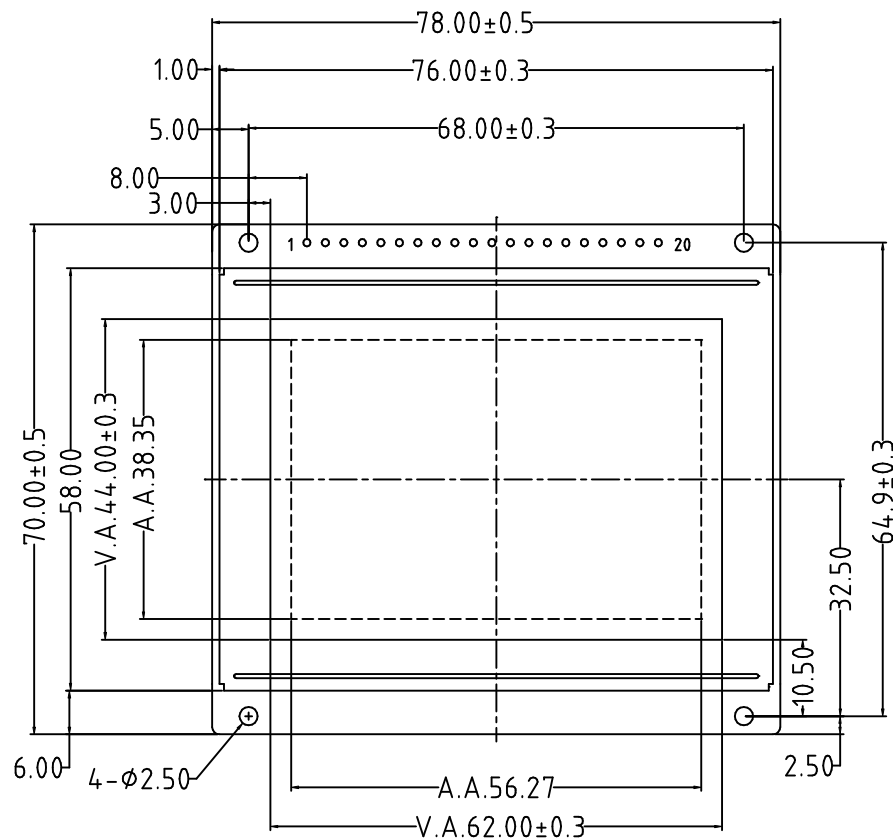


REV	Description	Date
A00	First Issue	2005-DEC-28




DOT DETAILS

Pin Assignment:

1	2	3	4	5	6	7 - 14	15	16	17	18	19	20
V _{SS}	V _{CC}	V _O	D/I	R/W	E	DB0~DB7	CS2	CS1	RST	VEE	LED+	LED-

Specification:

- 1) FSTN / POSITIVE / B&W/TRANSFLECTIVE MODE
- 2) 1/64 duty, 1/7 bias, VLCD = 8.4 V
- 3) VIEWING ANGLE = 6 O'CLOCK
- 3) Operating Temp.= -20 °C - +70°C
- 4) Storage Temp.= -30 °C - +80°C
- 5) With White LED Backlight, 3.4V@30mA

Description: MECHANICAL SPECIFICATIONS	
Scale:	 TRI-T COMPANY LIMITED
Sheet : 1 of 1	
Unspecified Tol. ±0.3	Unit mm
Approvals	Date
Draw:	Project Number
Check:	TMBG12864BPT-06
Approve:	Do Not Scale This Drawing
Item Number	Projection