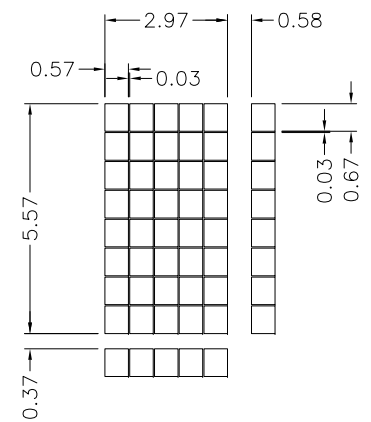
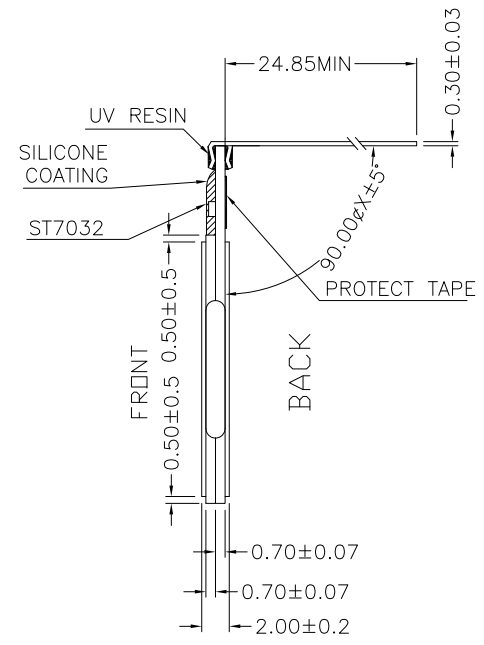
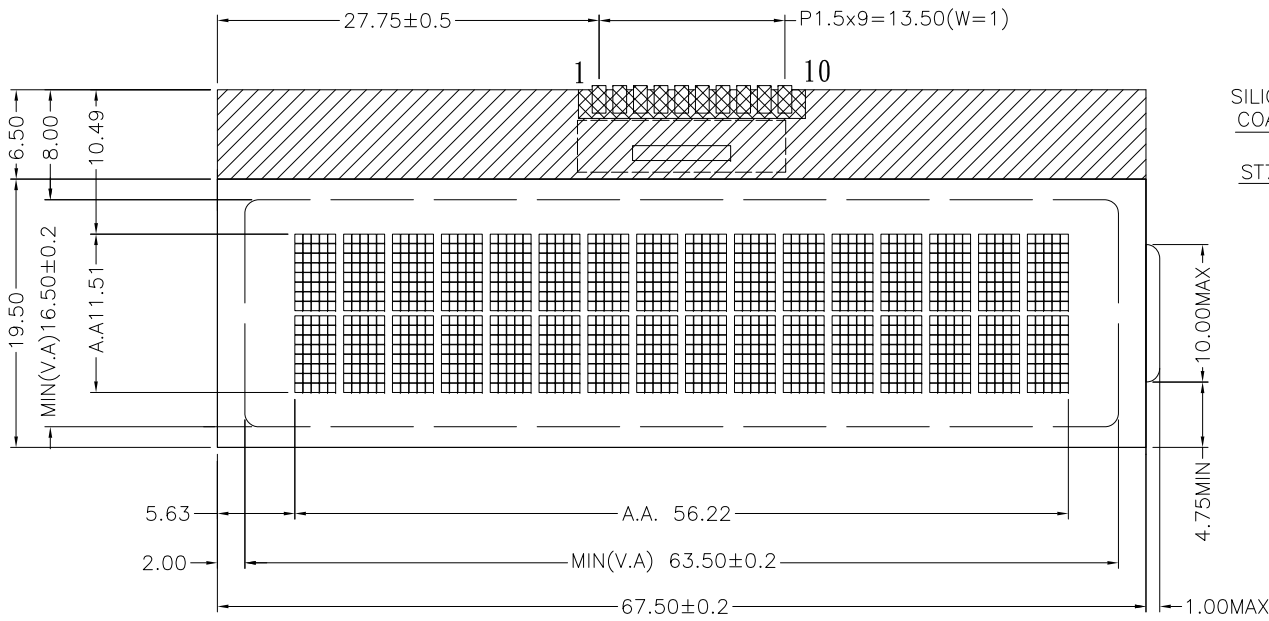
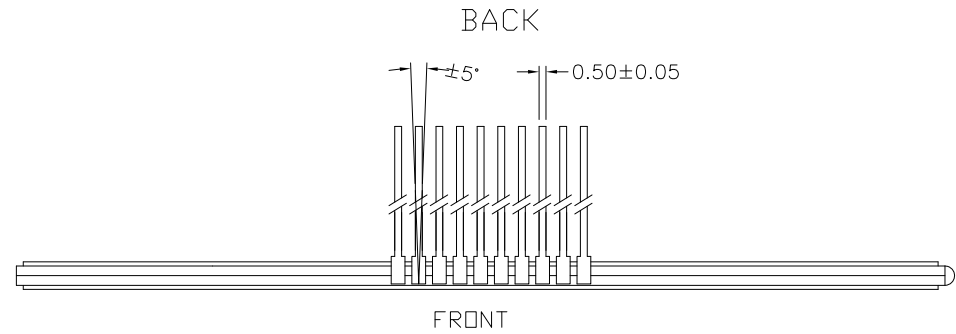


REV	REVISION RECORD	DATE	APPROVED	NAME
△				



DOTS DETAIL
SCALE: 3X

PIN FUNCTION

1	XRESET
2	SCL
3	SDA
4	VSS
5	VDD
6	VIN
7	VOUT
8	CAP1P
9	CAP1N
10	V0

- NOTES:
1. DISPLAY TYPE:STN(GRAY)
 2. VIEWING DIRECTION:6 0' CLOCK
 3. DRIVE METHOD:1/17DUTY 1/4BIAS
 4. POLARIZER MODE:TRANSFLECTIVE/POSITIVE
 5. LCD DRIVE VOLTAGE:4.5V
 6. LCD LOGIC VOLTAGE:2.7V~3.6V
 7. OPERATING TEMP:-20° C~+70° C
 8. STORAGE TEMP:-30° C~+80° C
 9. CONTROLLRE/DRIVE IC:ST7032-1P
 10. I/O INTERFACE:IC interface
 11. CONNECTION TYPE:PIN
 12. CUSTOMER TYPE:TMGC16265I-03
 13. OTHER TOLORANCE:±0.2mm
 14. ROHS COMPLIANT

↑ 6 0' CLOCK VIEWING DIRECTION

		TOLERANCE	MATERIAL	FINISH	MODEL NAME	TMGC16265I-03
	±0.2				TITLE	OUTLINE
	VERSION	SCALE	NO.	UNIT	FILE NAME	
	A		1/1	mm		
	DATE	APPROVED	CHECKED	DRAWN		
2008.04.30						