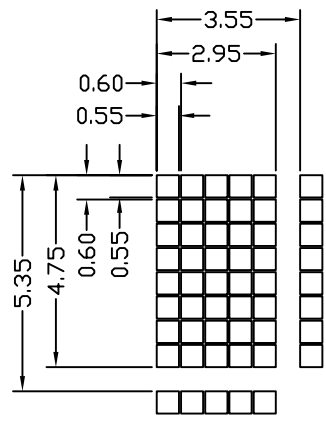
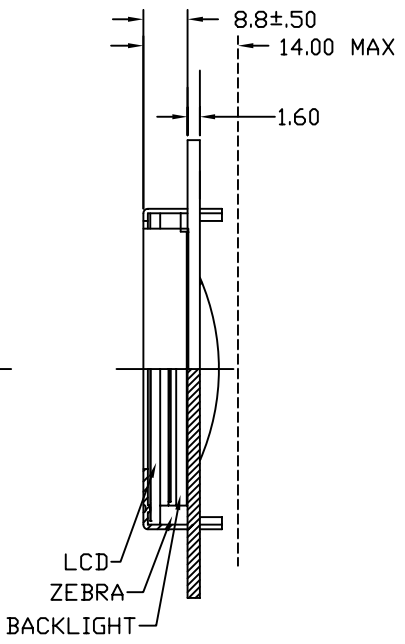
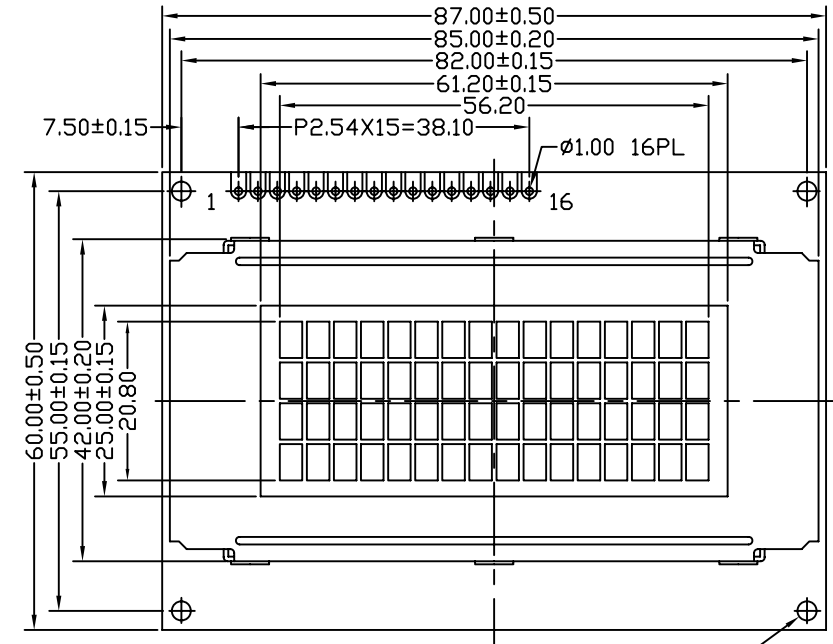


REV	Description	Date
A00	First Issue	20023-MAR-17



CHARACTER DOT PATTERN



PIN ASSIGNMENT:

PIN NO.	1	2	3	4	5	6	7	8	9	10	11	12	13	14	15	16
PIN NAME	VSS	VDD	VD	RS	R/W	E	DB0	DB1	DB2	DB3	DB4	DB5	DB6	DB7	LED+	LED-

SPECIFICATIONS:

- 1) STN/+VE/Y-G/TRANSFLECTIVE MODE
- 2) 1/16 DUTY, 1/5 BIAS, VLCD=4.5V
- 3) VIEWING ANGEL= 6 O'CLOCK
- 4) OP. TEMP.= 0 °C to +50°C  
ST. TEMP= -10°C to +60°C
- 5) WITH Y-G LED ARRAY BACKLIGHT

Description: <b>MECHANICAL SPECIFICATIONS</b>	
Scale:	
Sheet : 1 of 1	
Unspecified Tol. ±0.3	Unit mm
Approvals	Date
Draw:	Project Number
Check:	TMBC16465SP-09
Approve:	Item Number
Do Not Scale This Drawing	
Projection	