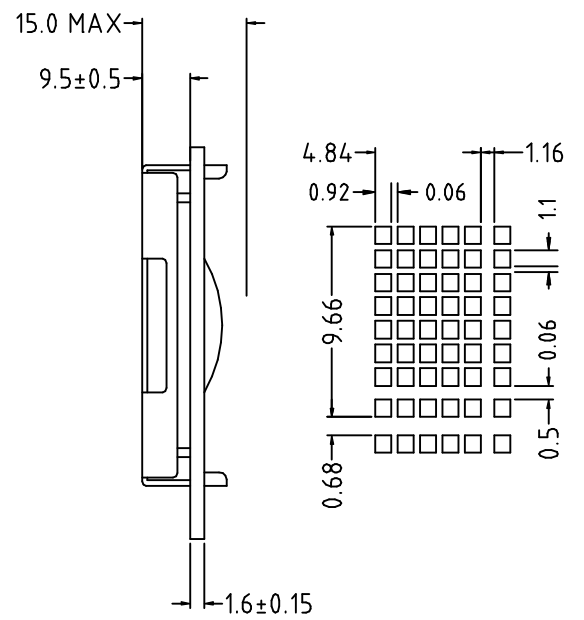
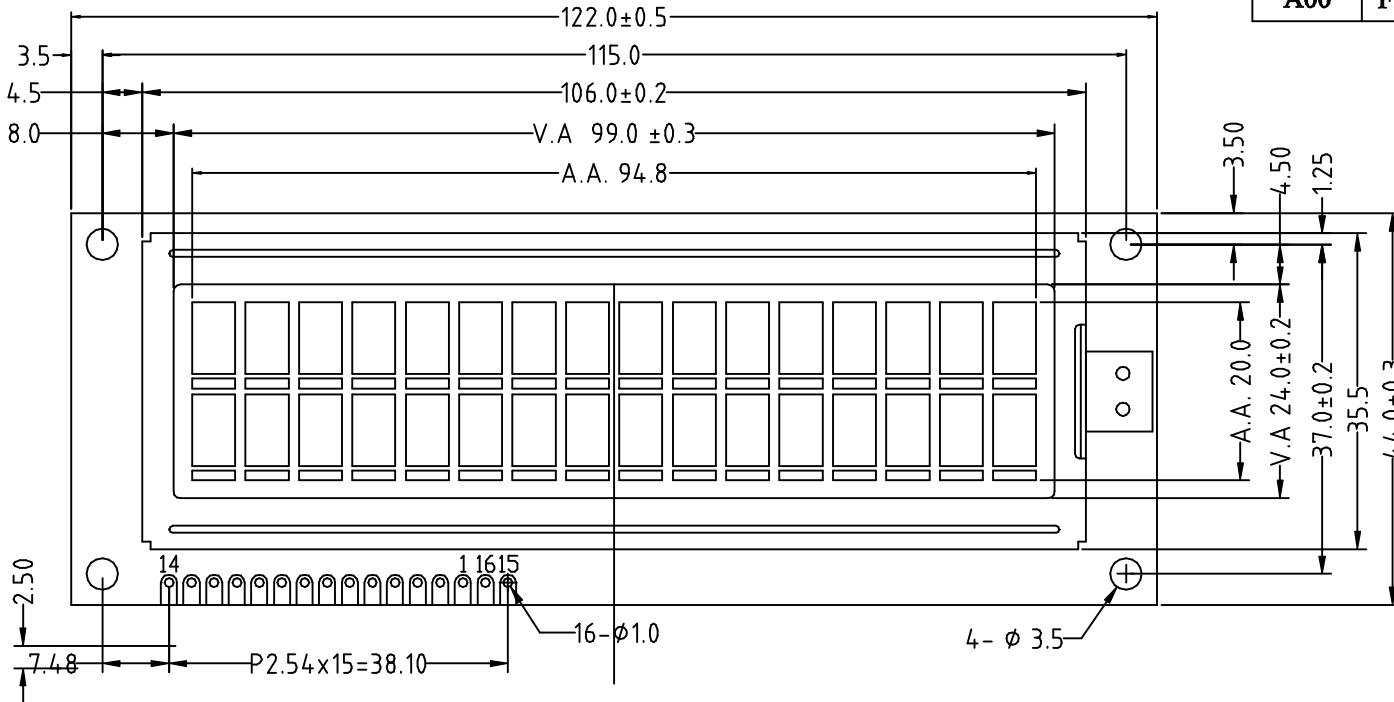


REV	Description	Date
A00	First Issue	2003-OCT-09



Pin Assignment

1	2	3	4	5	6	7	8	9	10	11	12	13	14	15	16
Vss	Vcc	Vo	RS	R/W	E	DB0	DB1	DB2	DB3	DB4	DB5	DB6	DB7	LED+	LED-

SPECIFICATIONS:

- 1) STN/+VE/Y-G/TRANSFLECTIVE MODE
- 2) 1/16 DUTY, 1/5 BIAS/ VLCD=4.5V
- 3) VIEWING ANGLE=6 O'CLOCK
- 4) OP. TEMP.=0°C TO +50°C
ST.TEMP.= -10°C TO +60°C
- 5) WITH Y-G COLOR LED BACKLIGHT

BACKLIGHT SPECIFICATIONS:

Item	Symbol	Min.	Typ.	Max.	Unit	Conditions
Foward Voltage	Vf	3.85	4.05	4.25	V	If=240 mA
Reverse Current	Ir			2400	uA	Vr =8 V
Peak Wavelength	λ_p		568		nm	If=240 mA
Spectra Line Half Width	$\Delta\lambda$		30		nm	If=240 mA
Luminance	Lv	120	150		cd/m ²	If=240 mA

Description: MECHANICAL SPECIFICATIONS

Scale: Sheet : 1 of 1

Unspecified Tol. ±0.3 Unit mm

Approvals Date **Project Number** **Item Number**

Draw: TMBC16269ASP-02

Check:

Approve: Do Not Scale This Drawing

TRI-T COMPANY LIMITED

Projection