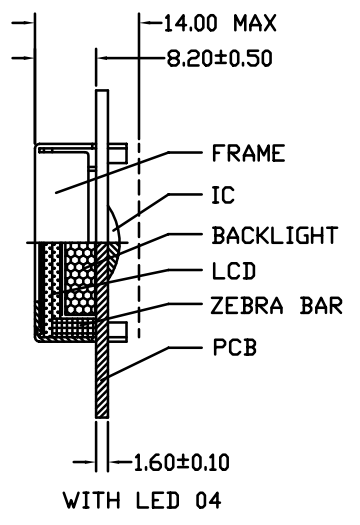
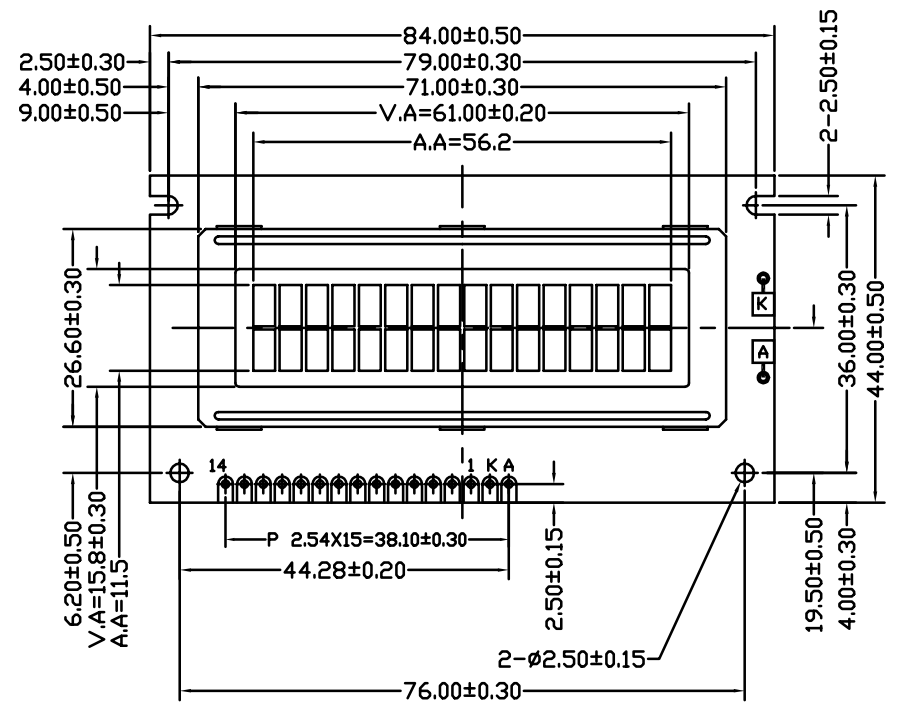
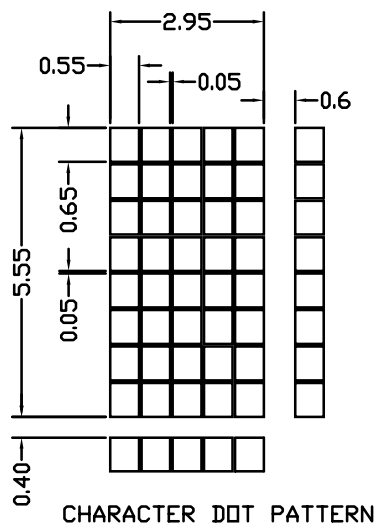


REV	Description	Date
A00	First Issue	2002-JAN-10


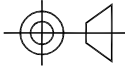


INTERFACE CONNECTOR PIN ASSIGNMENT

16 PIN CONNECTION	1	2	3	4	5	6	7	8	9	10	11	12	13	14	A	K
	VSS	VDD	VO	RS	R/W	E	DB0	DB1	DB2	DB3	DB4	DB5	DB6	DB7	LED(+)	LED(-)

Specifications:

- 1) Display mode: STN/Yellow-Green/Positive/Transflective
- 2) Viewing angle: 6 o'clock
- 3) Duty : 1/16, Ratio : 1/5, VLCD = 4.5V
- 4) Logic Voltage : 5V +/-0.5V
- 5) Backlight : 4.1V/Yellow-Green color

Description: MECHANICAL SPECIFICATIONS	
Scale:	 TRI-T COMPANY LIMITED
Sheet : 1 of 1	
Unspecified Tol. ± 0.3	Unit mm
Approvals	Date
Draw:	Project Number TMBC16265SP-01
Check:	Item Number
Approve:	Do Not Scale This Drawing
 Projection	