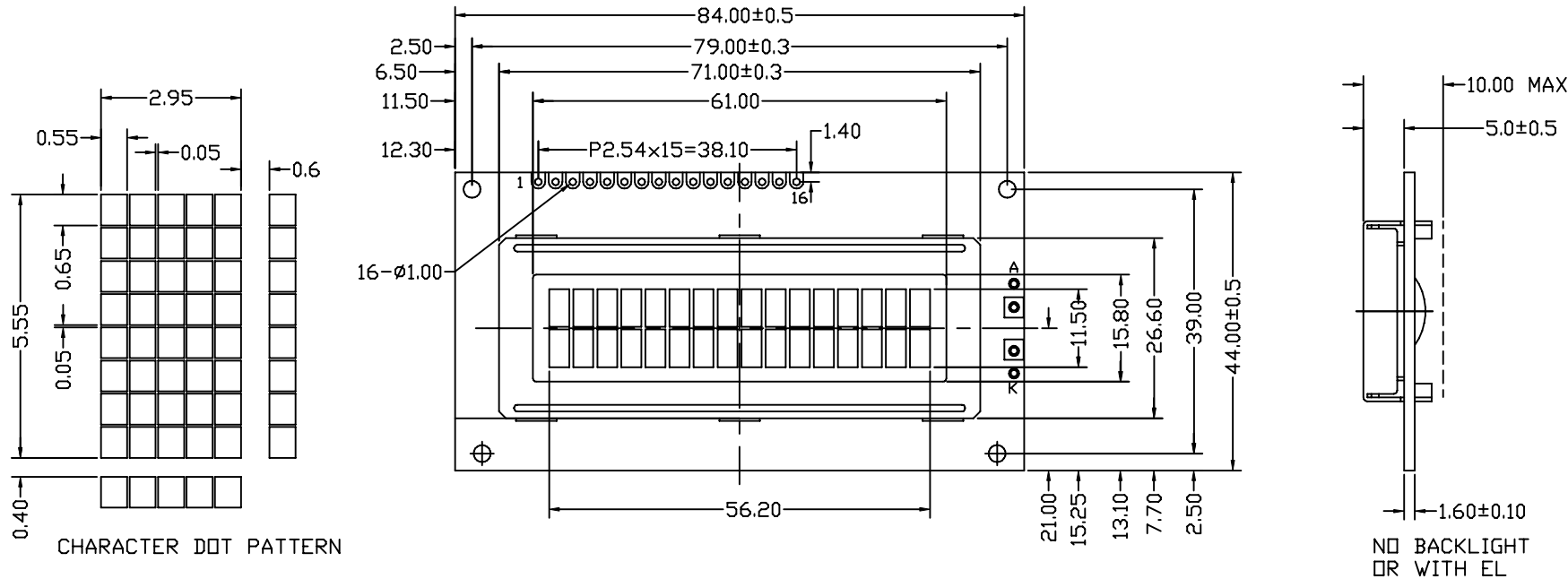


REV	Description	Date
A01	Change Dimensions	2008-MAR-03




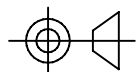
NO BACKLIGHT
OR WITH EL

INTERFACE CONNECTOR PIN ASSIGNMENT

16 PIN CONNECTION	1	2	3	4	5	6	7	8	9	10	11	12	13	14	15	16
	VSS	VDD	V ₀	RS	R/W	E	DB0	DB1	DB2	DB3	DB4	DB5	DB6	DB7	NC	NC

Specifications:

- 1) Display mode: STN/Positive/Y-G/Reflective
- 2) Viewing angle: 6 o'clock
- 3) Duty : 1/16, Bias : 1/5, VLCD = 4.5V
- 4) Op. Temp.=0°C TO +50°C
ST. Temp.=-10°C To +60°C

Description:		MECHANICAL SPECIFICATIONS	
Scale:		 TRI-T COMPANY LIMITED	
Sheet : 1 of 1			
Unspecified Tol. ±0.3	Unit mm	Project Number TMBC16265LSP-01	Item Number
Approvals	Date		
Draw:		Do Not Scale This Drawing	 Projection
Check:			
Approve:			