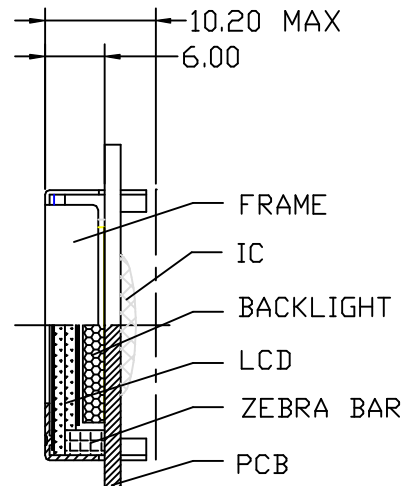
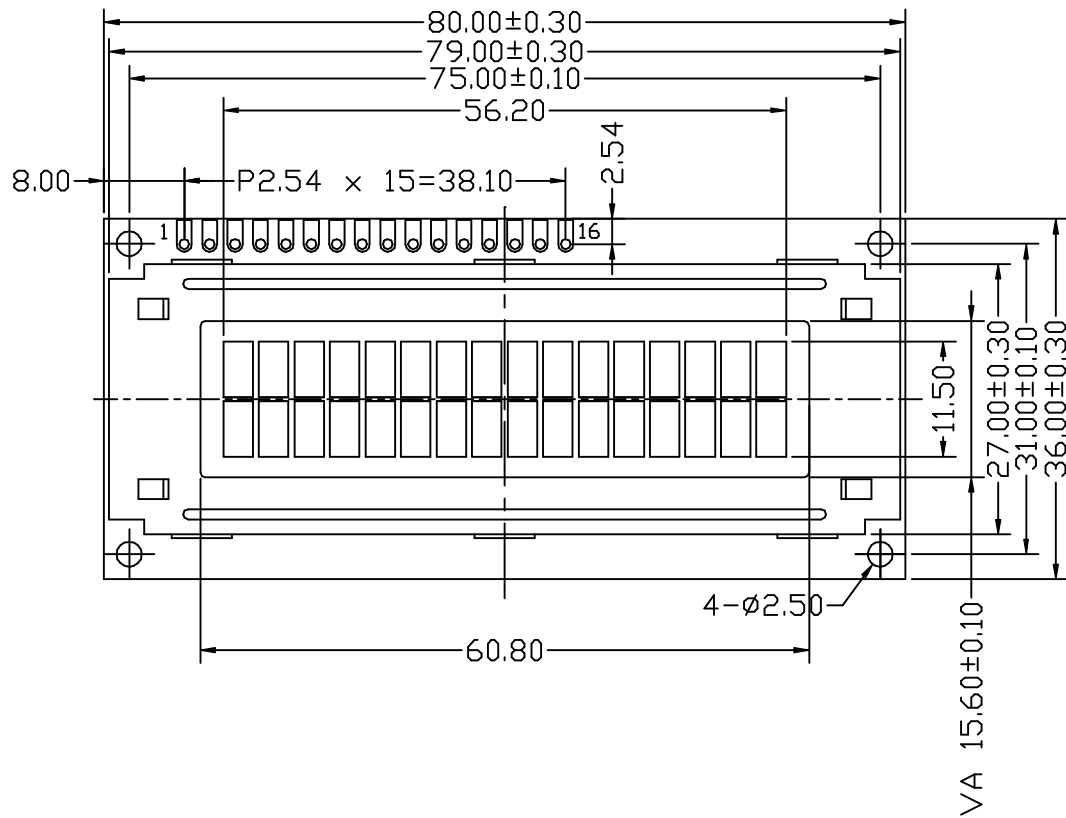
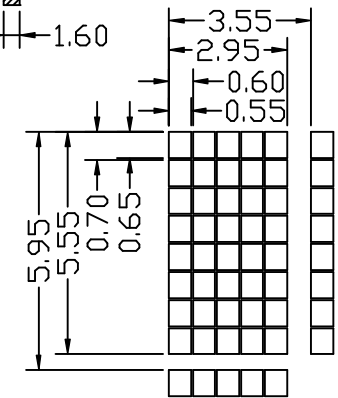


REV	Description	Date
A00	First Issue	2005-APR-23



PIN ASSIGNMENT:

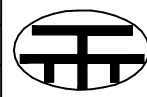
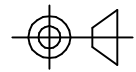
PIN NUMBER	SYMBOL
1	VSS
2	VDD
3	VO
4	RS
5	R/W
6	E
7	DB0
8	DB1
9	DB2
10	DB3
11	DB4
12	DB5
13	DB6
14	DB7
15	K
16	A



Character Dot Details

**SPECIFICATIONS:**

- 1) STN/+VE/YGRAY/TRANSFLECTIVE MODE
- 2) 1/16 DUTY, 1/5 BIAS, VLCD=4.5 V
- 3) VIEWING ANGLE=6 O'CLOCK
- 4) OP. TEMP.=0 ~ +50°C  
ST. TEMP.= -10 ~ +60°C
- 5) WITH LED01 BACKLIGHT, Y-G COLOR, 5V@40mA

<b>Description:</b> MECHANICAL SPECIFICATIONS	
<b>Scale:</b>	 <b>TRI-T COMPANY LIMITED</b>
Sheet : 1 of 1	
Unspecified Tol. ±0.3	Unit mm
Approvals	Date
Draw:	Project Number
Check:	TMBC16265JSP-05
Approve:	Item Number
Do Not Scale This Drawing	
 <b>Projection</b>	